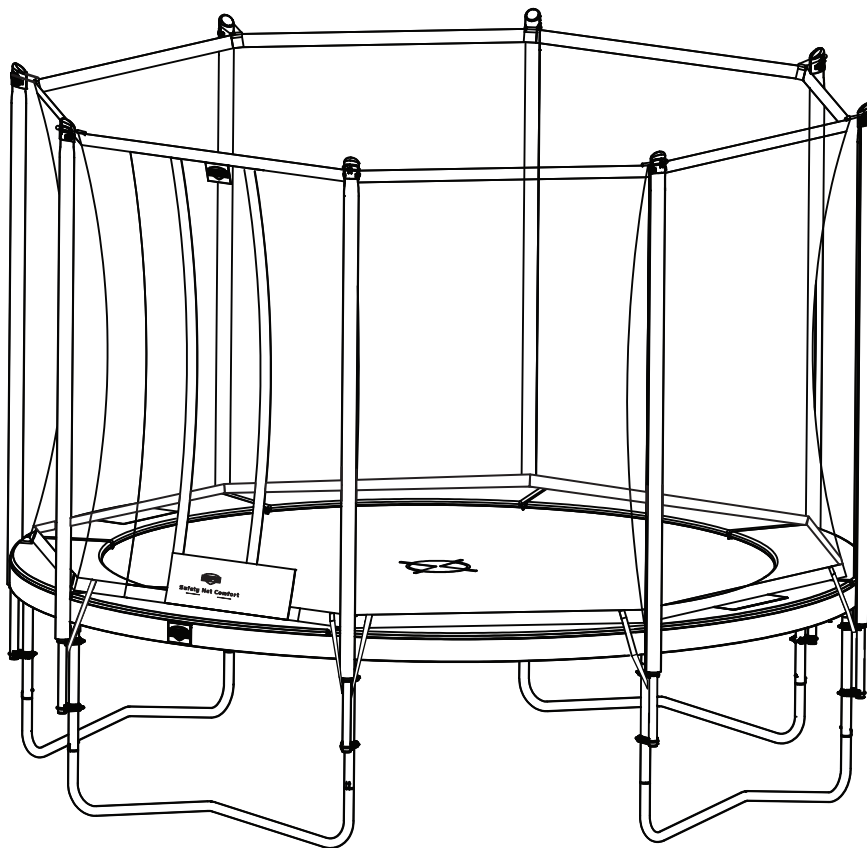
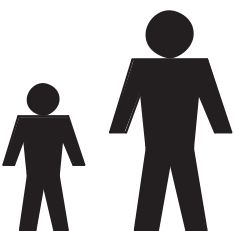




Safety Net Comfort 270/9ft



6+

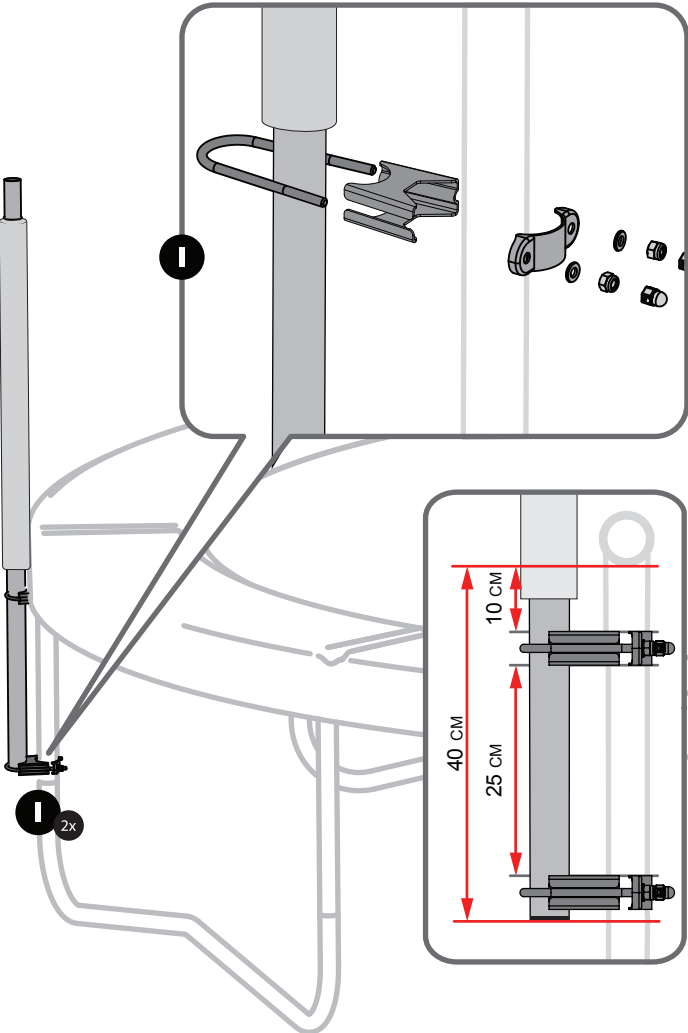
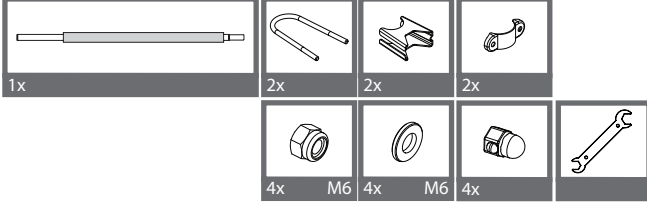


WARNING

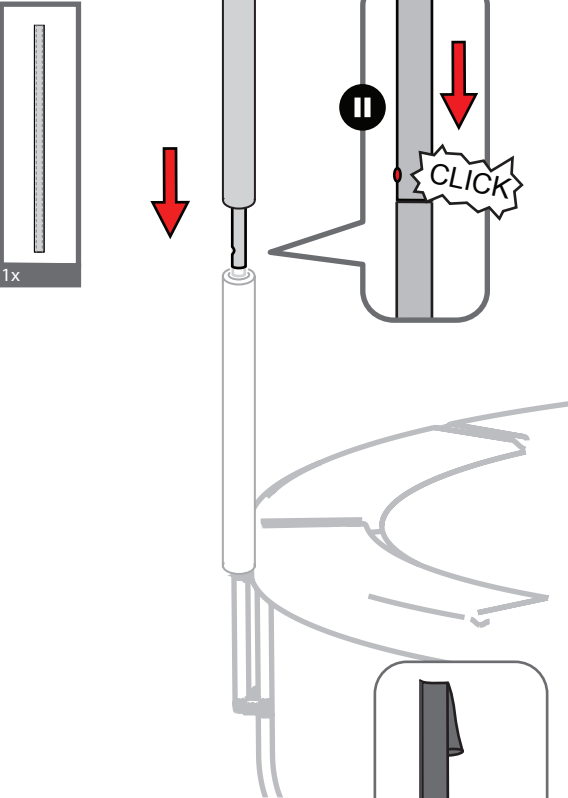
CHOKING HAZARD, small parts. Adult assembly required
Read this manual prior to assembling and using this trampoline

Retain for future reference

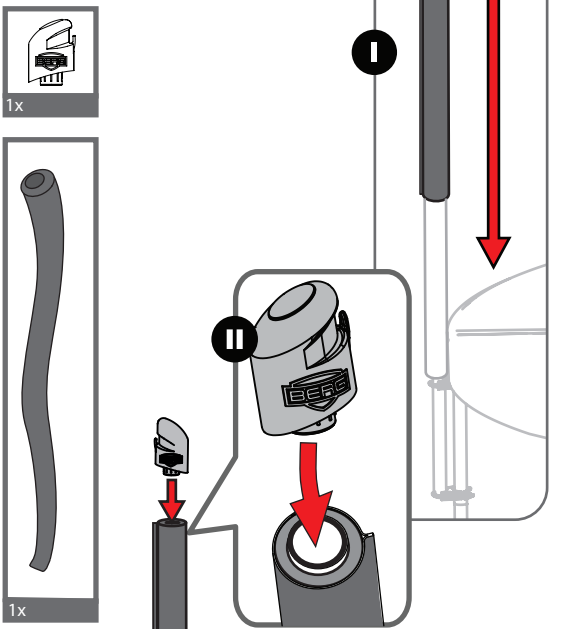
1



2

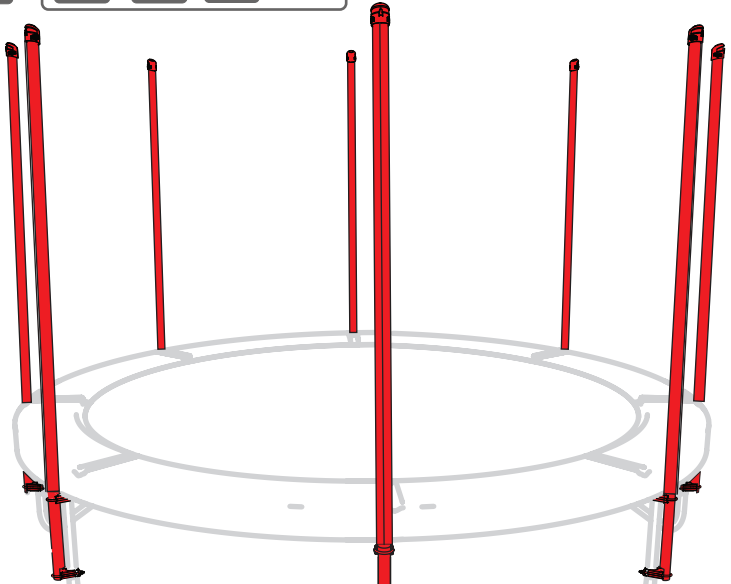


3

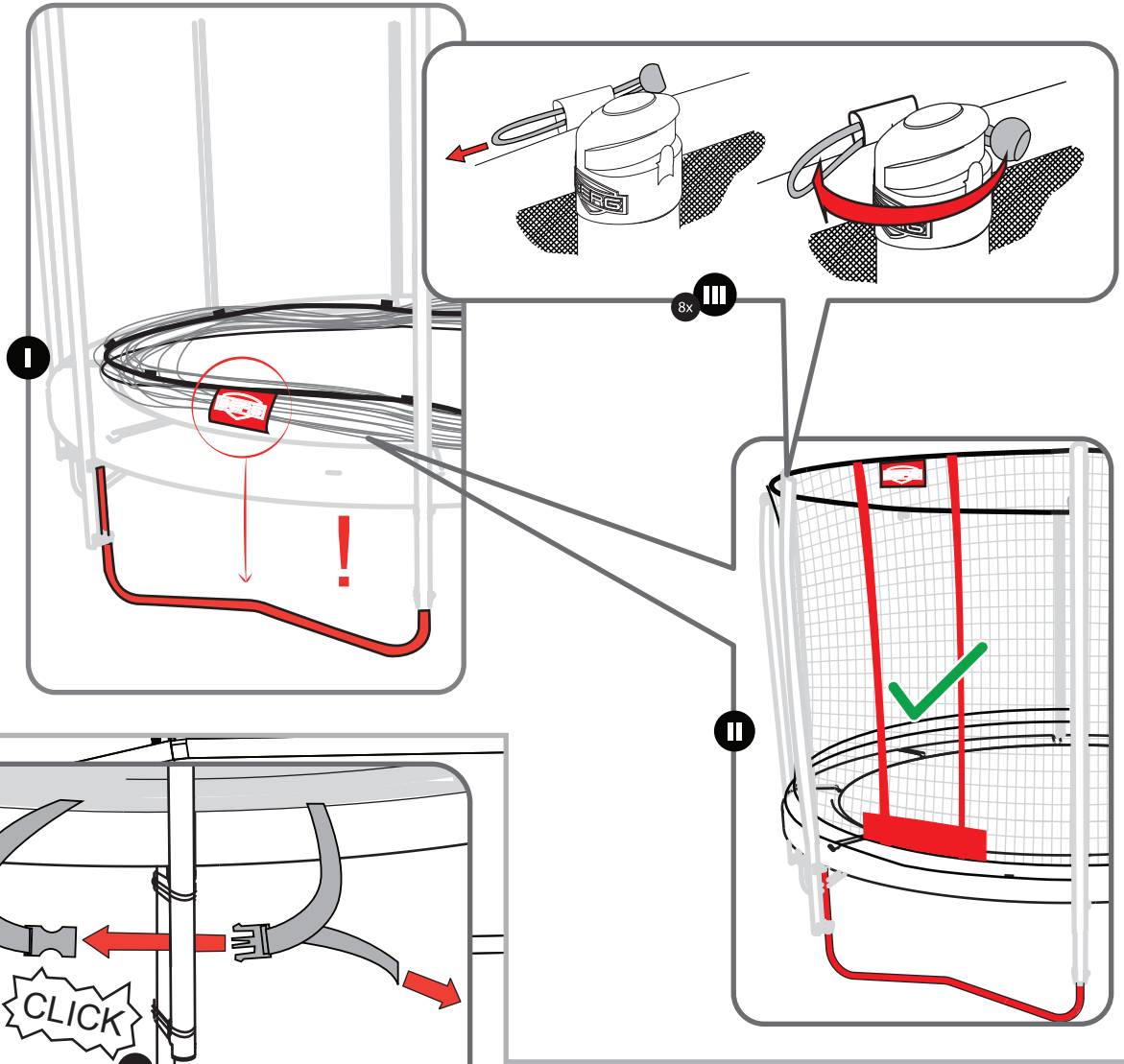
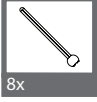
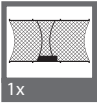


4

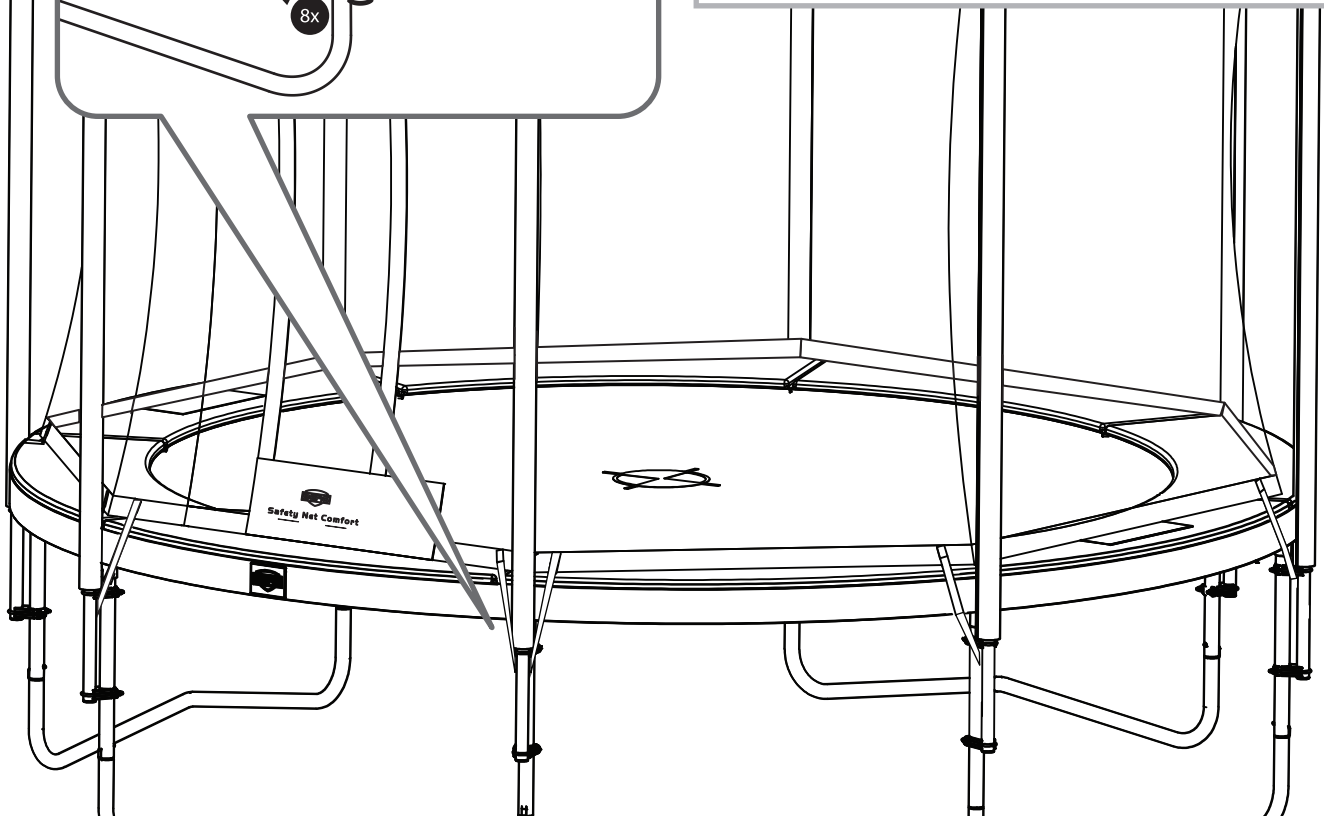
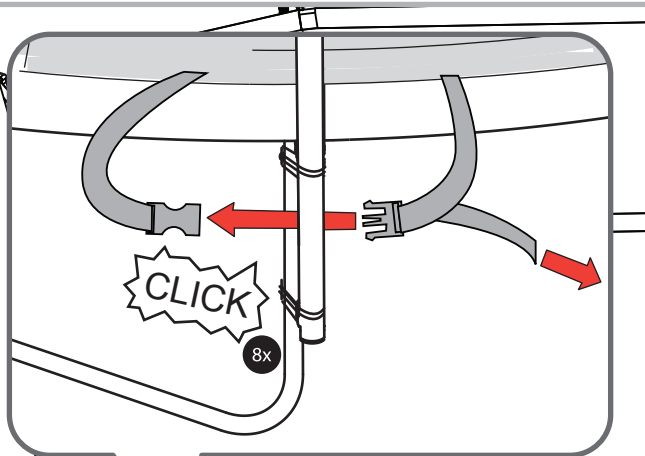
1 2 3 x 8



5



6



Safety Net Comfort - WARNING

Assembly, installation, care, maintenance and use instructions.

Always read these instructions manual prior to assembling and using this safety enclosure. The safety rules or warnings of the respective trampoline are still valid. Please read those carefully and make sure you fulfill them before using the trampoline with this safety enclosure.

- Inspect the safety enclosure before each use and replace any worn, defective, or missing parts.
- Do not allow more than one person inside the safety enclosure. Use by more than one person at the same time can result in serious injuries.
- Use trampoline and enclosure only with mature, knowledgeable supervision.
- Do not attempt to jump over the safety enclosure.
- Do not attempt to crawl under the safety enclosure.
- Do not intentionally rebound off the safety enclosure. The safety enclosure is ment to keep jumping safe, it is not a toy.
- Do not hang from, kick, cut or climb on the safety enclosure.
- Wear clothing free from drawstrings, hooks, loops or anything that could get caught in the safety enclosure.
- Do not attach anything to the safety enclosure that is not a manufacturer-approved accessory or part of the safety enclosure.
- Do not use the poles of the safety enclosure for climbing. Not during the building or while using the trampoline.
- Only enter the safety enclosure through the entrance. Do not use other places to enter or exit the safety net.
- Do not use sharp objects near the safety net.
- Do not bring fire near the safety net.
- Watch out with extreme weather circumstances. In worst case scenarios we recommend you to disassemble the safety enclosure and also the trampoline.
- Neglecting regular maintenance can lead to a risk for users.
- Check all nuts and bolts for tightness and tighten when required.
- Check all covering for bolts and sharp edges and replace when required.
- The self locking nuts used in assembling, are for one-time use only. Disassembly and assembly again require new self locking nuts.